

TELLUS

Tellus is a versatile LED task light for industrial and other professional applications where flexibility is of importance. It's available in IP65 versions for use in harsh environments, dimmable versions are also available. Typical applications are lighting for machining industry, production equipment, inspection and in vehicles.

The aluminum lamp head and rugged arm make it usable in a variety of industrial and professional environments. Can be supplied with an external plugin 230V adapter. The adapter's protection class is IP44.

LED-technology delivers low energy consumption and long service life as well as high vibration durability and virtually no radiated heat in the light beam. The high CRI-value ensures high quality of the emitted light. 15° optics are fitted, interchangeable 20 & 30° optics are available.

Customized versions available upon request.

Features include

- Arm length 50 & 70cm with or without joint, spotlight
- LED Service life > 25.000h
- IP20, IP43 or IP65
- Dimmable versions
- 12-24V AC/DC
- AC/DC-adapter (100-240/12V, IP44), available as accessory

Applications

- Industrial & production applications
- Vehicles
- Machining industry
- Inspection & reading

Benefits

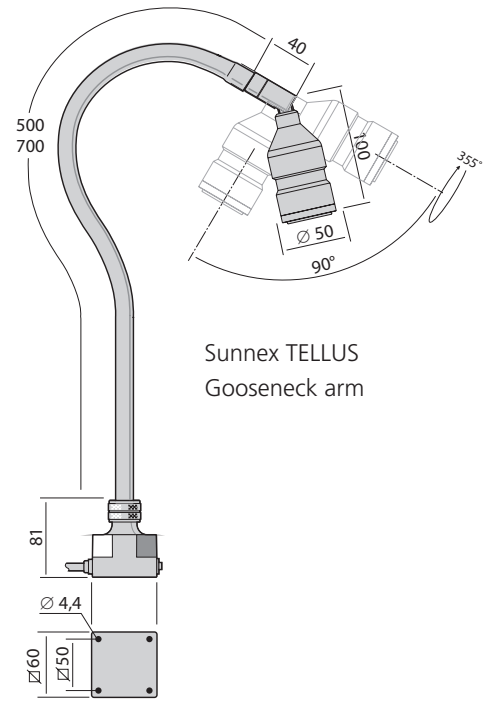
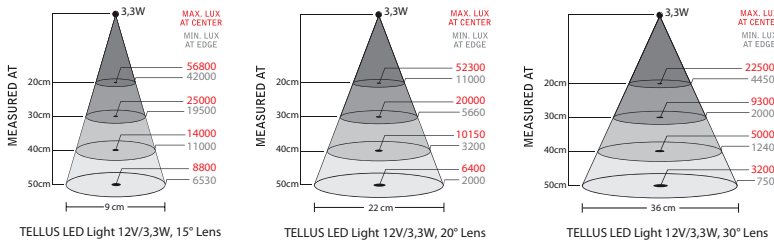
- Long service life
- High quality components
- Flexible arm
- Sturdy lamp head





Technical specifications

Supply voltage	12-24V AC/DC, 1,9m cord set (100-240VAC Plugin AC/DC-adaptor available, IP44)
Power consumption	3,3W
Arm length	500, 700 mm and spotlight
Colour	Black
Colour temperature	4000K
IP rating	IP20, IP43, IP65 depending on version
Protection class	Class III
Beam angle	15° (30° DIM). 20 & 30° available as option
Light output	230Lm, 8800Lx at 50cm distance using 15° optics
Colour rendering index	CRI: >92
Weight	0,6-1,0 kg
Life span	>25.000h



Sunnex TELLUS Gooseneck arm



Sunnex TELLUS Lamp head

Model	Arm	Connection	Other	Part no.
Tellus	500 mm	12-24V AC/DC	IP43	34100
			Joint, IP20	34110
			IP65	34200
			DIM, IP20	34300
Tellus	700 mm	12-24V AC/DC	IP43	34120
			Joint, IP20	34130
			IP65	34220
			DIM, IP20	34320
Tellus Spot	40 mm	12-24V AC/DC	Single Joint, IP20	34160

PSU (100-240V~)



Plug-in Adaptor for Europe 230V
33901

Mounting Accessories



Magnetic base
14000

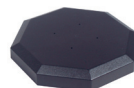


Table base
14015



C-Clamp
14020



Wall mount
14030

More info about
Accessories
see separate leaflet
www.sunnex.se