

# SUNNEX HS 20W HALOGEN

**The shape** of the Sunnex HS, in combination with its robust design and simple adjustment, has made the lamp a reliable industrial light for over 30 years.

Sunnex HS is fitted with Sunnex's classic flexible arm which is of extremely high quality and the lamp produces an extremely well focused spot light. Sunnex HS comes with either an integral transformer or in a low-voltage version for direct connection to machinery.

The light can also be supplied with a dimmer, and is available sealed to safety class IP20 or IP65. Sunnex HS is available with a 500 or 700 mm flexible, bendable arm, as well as in the form of a spot with both single and double joint.

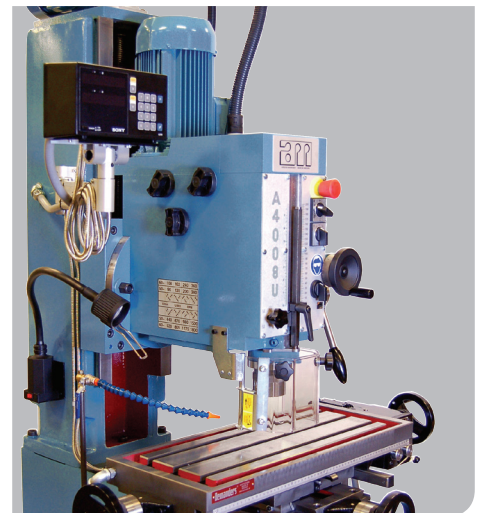
Examples of applications include spot lighting for manufacturing machines, machine tools, the graphic design, assembly work and precision mechanical work.

## Applications

- Workshop Machinery
- Machine tools
- Point Lighting
- Monitoring and Inspection
- Assembly Work

## Benefits

- Well-focused spot light
- Flexible arm for precise control
- With or without a joint in the lamp head
- Ergonomic design
- Various brackets available

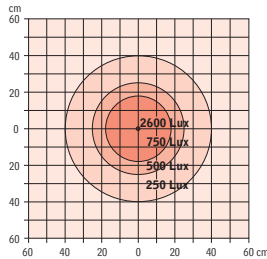




**Technical Specifications**

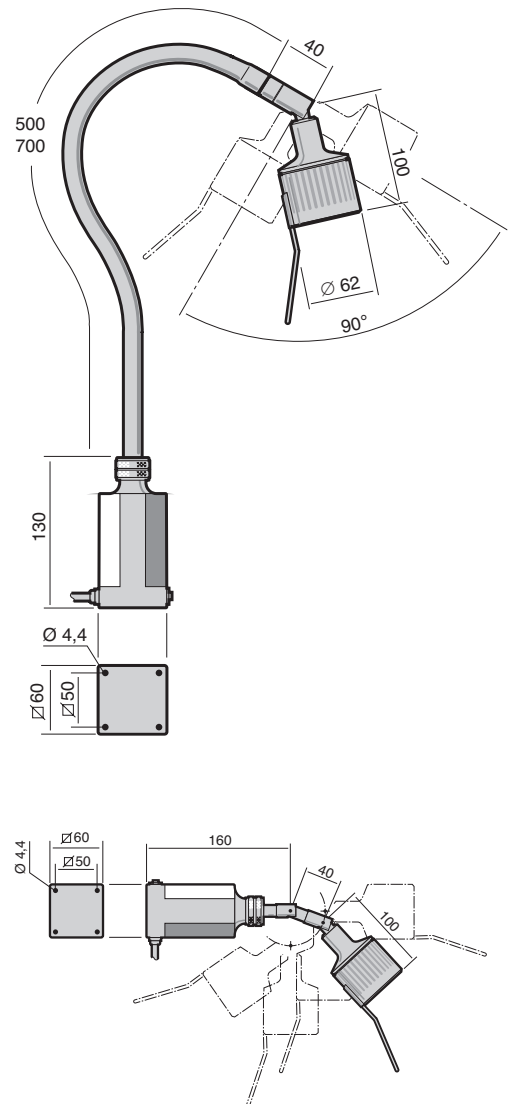
Supply voltage	230V/12V, 12V, 24V
Light source	Halogen 12V/24V/20W
Lifetime, light source	4 000 h
Lamp head	With or without joint
Lens	Clear
Arm Length	500, 700 mm or spot
Colour	Black
Colour temperature	3000K
IP-rating	IP20
Protection Class	Class II
Power switch	Placed in the base
Base	Equipped with four mounting holes
Colour rendering index	CRI 100
Cable length	2 m

**Lux rating - 0,5 m distance**



Model	Arm	Connection	Art. no.
HS - Flex	500 mm	230V	14100
		12V	14300
		24V	14400
HS - Spot	Single joint	230V	14160
		12V	14360
		24V	14460

For complete HS standard range, please see next page



**Mounting Accessories**



Magnetic base  
14000

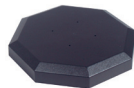


Table base  
14015



C-Clamp  
14020



Wall mount  
14030

More info about  
Accessories  
see separate leaflet  
[www.sunnex.se](http://www.sunnex.se)



## COMPLETE STANDARD RANGE, HS - FLEX 20W

Arm	Connection	Other	Art. no.	
500 mm	230V		14100	
		Joint	14110	
	12V		14300	
		Dimmer	14300DIM	
		IP65	14300IP65	
	24V	Joint		14310
			Joint/Dimmer	14310DIM
			14400	
		Dimmer	14400DIM	
		IP65	14400IP65	
		Joint	14410	
	700 mm	230V		14120
			Joint	14130
		12V		14320
Dimmer			14320DIM	
IP65			14320IP65	
24V		Joint		14330
			Joint/Dimmer	14330DIM
			14420	
		Dimmer	14420DIM	
		IP65	14420IP65	
		Joint	14430	
		Joint/Dimmer	14430DIM	

## COMPLETE STANDARD RANGE, HS - SPOT 20W

Joint	Connection	Art. no.
Single	230V	14160
	12V	14360
	24V	14460
Double	230V	14163
	12V	14363
	24V	14463