

SUNNEX HT 10W HALOGEN

Sunnex HT is a small and convenient universal light which is ideally suited for all types of precision work. Supplied with a 10W halogen bulb, the Sunnex HT produces an extremely good spot light.

The lamp comes with either an plug-in transformer or in a low-voltage version for direct connection to machinery. Sunnex HT is fitted with a joint in the lamp head, making it flexible and easy to focus. The ergonomic design also means that the lamp is easy to keep clean.

Sunnex HT is available with a 500 mm flexible arm and in a spot version. With the small outer dimensions and the high luminous efficiency, the Sunnex HT is well suited for precision work in offices, laboratories, precision mechanical workshops and for handicraft work.

Available with a magnetic base, C-clamp, wall bracket or desktop base as optional accessories

Applications

- Precision Works
- Assembly Work
- Point Lighting
- Laboratories
- Office Lighting

Benefits

- Well-focused spot light
- Flexible arm for precise control
- Adjustable lamp head
- Various brackets available
- Ergonomic design

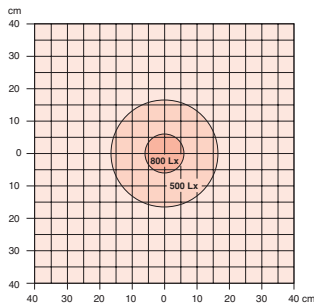




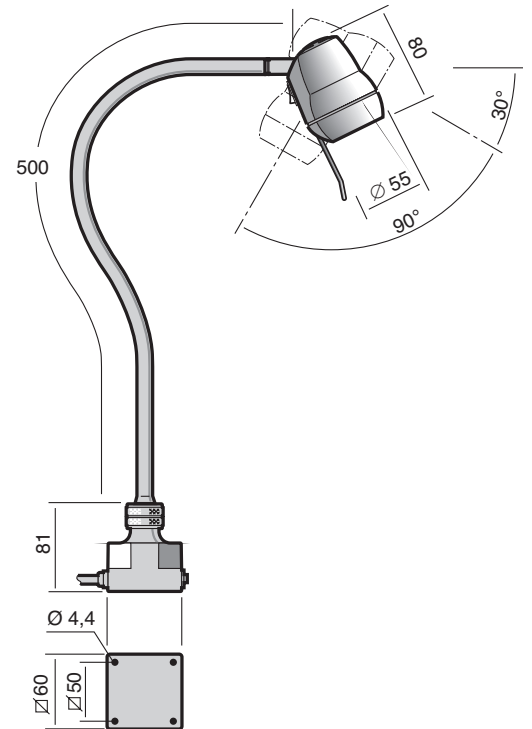
Technical Specifications

Supply voltage	230V/12V, 12V, 24V
Light source	Halogen 12V/24V/10W
Lifetime, light source	2 000 h
Lamp head	With joint
Lens	Clear 12V, Matt 24V
Arm Length	500 mm
Colour	Black
Colour temperature	3000K
IP-rating	IP20
Protection Class	Class III
Power switch	Placed in the base
Base	Equipped with four mounting holes
Colour rendering index	CRI 100
Cable length	2 m

Lux rating - 0,5 m distance



Model	Arm	Connection	Art. no.
HT - Flex	500 mm	230V	22001
		12V	22002
		24V	22003
HT - Spot	Single joint	230V	22004
		12V	22005
		24V	22006



Mounting Accessories



Magnetic base
14000

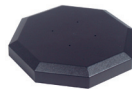


Table base
14015



C-Clamp
14020



Wall mount
14030

More info about
Accessories
see separate leaflet
www.sunnex.se